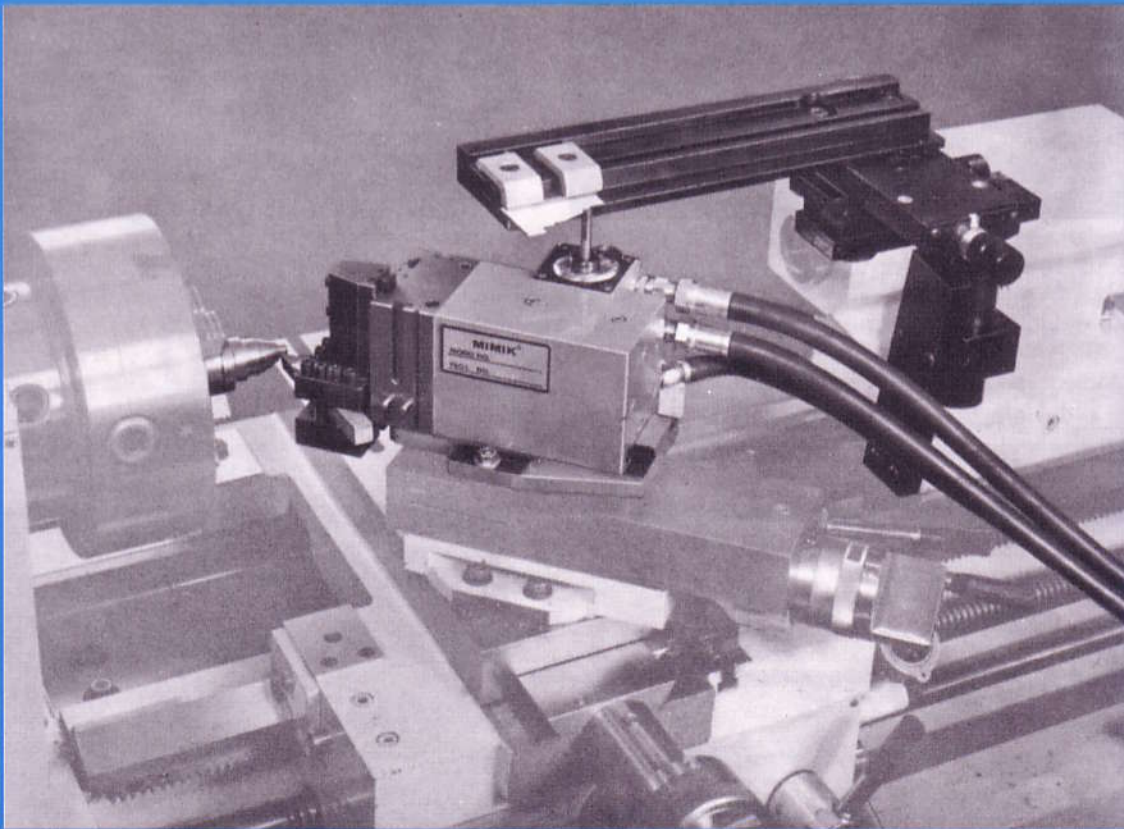


# MIMIK SERIES 7000

ENGINE LATHE  
TRACER ATTACHMENT





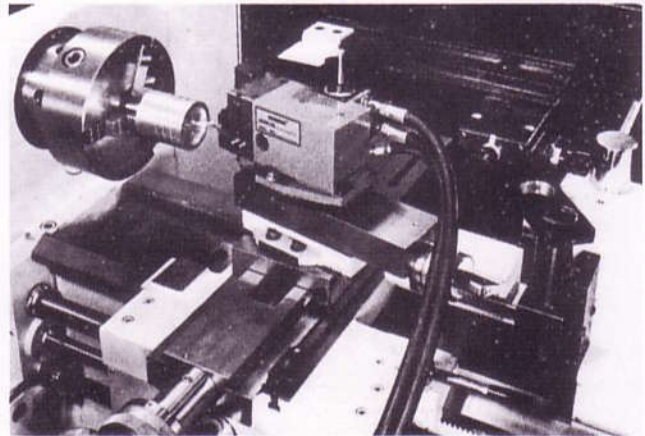
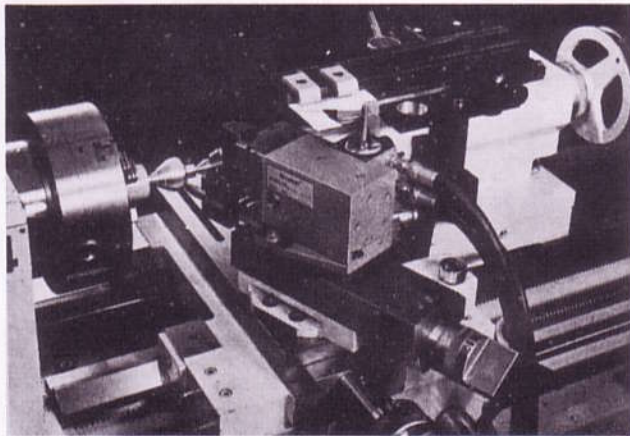
## Fits All Lathes - Traces All Angles

MIMIK now offers you a compact tracer which mounts on your lathe compound just like a toolpost. Priced in line with many common lathe accessories, it brings low cost tracing to all users of small to medium sized lathes.

While designed as a complete package ready for installation on any 9 to 16 inch engine lathe, the 7000 can also be mounted on the cross-slide of turret lathes and small bench lathes, and can be adapted to automatics as well. It can even be used on large engine lathes when needed for light-duty work.

Simple to operate, the MIMIK 7000 can be set up for any tracing requirement in minutes. Featuring the same high quality found in all MIMIK products, it will produce your parts to repetitive accuracies within  $\pm .0005"$ .

To help you enjoy maximum usefulness from your 7000, complete operator training is provided in a detailed instruction manual.

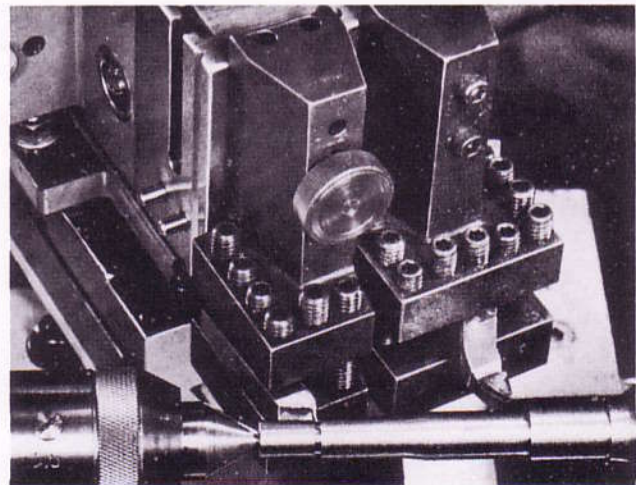


Here are two typical jobs handled easily by the new 7000 tracer. The turning job on the left involves a steeply opposed contour traced at one setting. Performance like this is made possible by MIMIK's universal stylus action, which gives smooth response to all contour angles.

The facing job on the right illustrates the extreme flexibility of the 7000 tracer. The compound and tracer slides are set at a different angle, the toolholder is relocated, and the template bracket is repositioned to suit the stylus location. The set-up change from turning to facing was done in half an hour.

## *Bonus* Feature

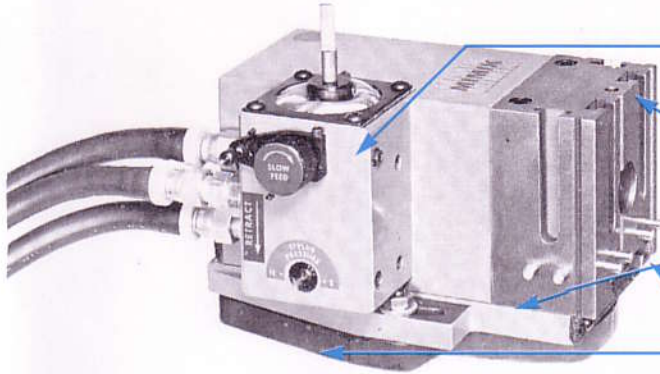
With its four tool mounting positions, the 7000 can be used as a quick-change toolpost, and need not be removed when using the lathe conventionally. Here a groove is being formed with an additional toolholder mounted beside the tracing tool. It is quickly removed to trace the next part.





# . THE TRULY UNIVERSAL TRACER

## COMPACT TRACER UNIT

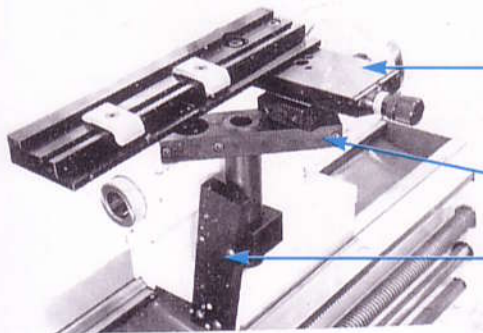


- Side mounted tracer valve eliminates cylinder hoses and ensures instant response.
- Four mounting stations provide wide range of tool-holder locations.
- Automatic way lubrication for long life and continued accuracy.
- Adjustable tapered gib maintains accurate slide fit.
- Mounting plate adapts easily to all lathe compounds. Compound sets tracer at any desired angle. Tracer swivels an additional 30° on mounting plate.



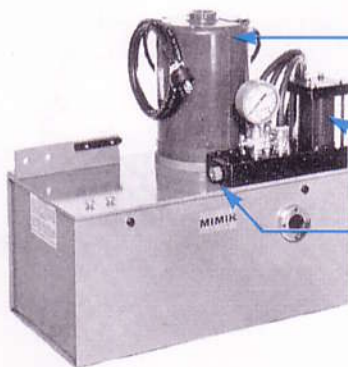
## QUICK-CHANGE TOOLHOLDER

- Vertical adjustment locates tool right on center – provides positive re-positioning.
- Unique tool slot design allows wide range of angular tool settings.



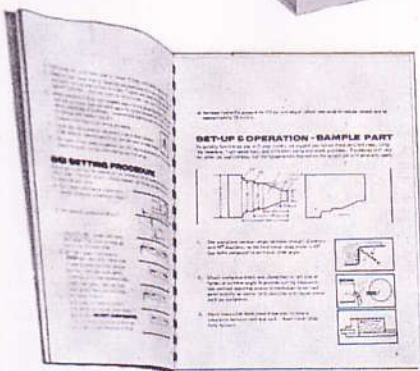
## VERSATILE TEMPLATE BRACKET

- Adjustment slides graduated in .001" allow precise settings on both axes. **(Metric Graduations Available)**
- Swinging support arm places template where it is needed for any job set-up.



## EFFICIENT HYDRAULIC POWER UNIT

- Totally enclosed motor and submerged pump designed for continuous operation.
- 5 micron filter gives maximum protection. Easily accessible for servicing.
- Convenient manifold with pressure gauge and built-in relief valve.



## DETAILED INSTRUCTION MANUAL

- Provides complete information on installation, operation, maintenance, and trouble-shooting.
- Step-by-step instructions for tracing sample part. (Template, tool bit, and workpiece blank supplied with Tracer).

# MIMIK SERIES 7000 TRACER

## SPECIFICATIONS

### TRACER SLIDE

- STROKE - 1 1/2"
- CYLINDER BORE - 1 1/2"
- MOUNTING ANGLE - UNLIMITED
- WAY LUBRICATION - AUTOMATIC
- ADJUSTABLE TAPERED GIB
- PROTECTIVE WAY WIPERS

### TRACER VALVE

- STYLUS ACTUATION - UNIVERSAL
- INFEEED RATE ADJUSTMENT - 0-50 IPM
- STYLUS FORCE - 6 OZ.

### TOOLHOLDER

- CAPACITY - 1/2" TOOL
- VERTICAL ADJUSTMENT RANGE - 7/8"
- QUICK-CHANGE ACCURACY - .0001"

### TEMPLATE HOLDER

- MOUNTING LOCATION - TAILSTOCK
- ADJUSTMENT SLIDE RANGE - 3 1/2" RADIAL (inch or metric available)  
- 1 1/2" AXIAL
- FEED KNOB GRADUATIONS - .001"
- TEMPLATE RAIL LENGTH - 13"

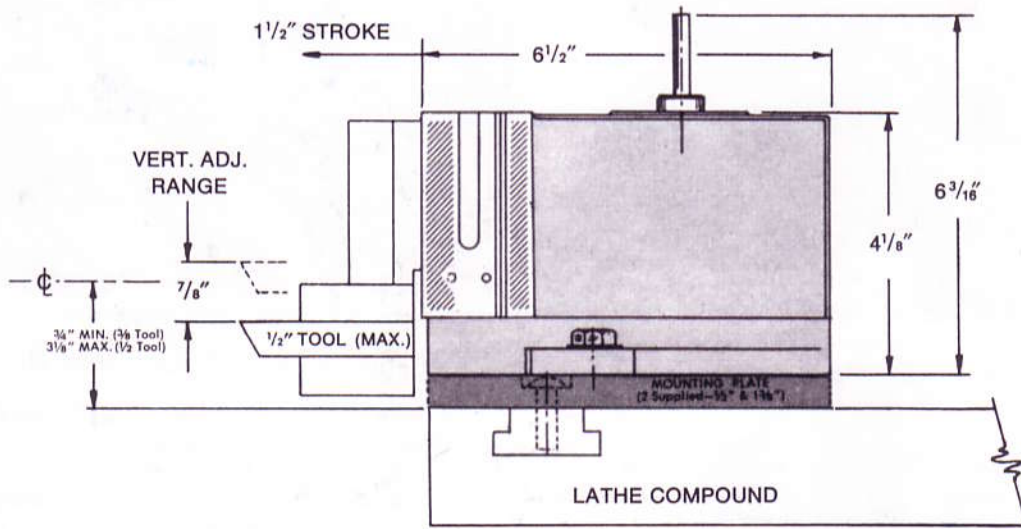
### HYDRAULIC POWER UNIT

- MOTOR - 1/2 HP 110 V SINGLE PHASE
- PUMPT - 1 1/2 GPM, CONSTANT VOLUME
- RESERVOIR - 5 U.S. GALLONS

### MOUNTING PROVISIONS

TWO MOUNTING PLATES SUPPLIED TO SUIT LATHE CENTER HEIGHT OVER COMPOUND FROM 3/4" TO 3 1/4" (TEE-NUT TO SUIT COMPOUND NOT INCLUDED).

## DIMENSIONAL DATA



**ROSEBROOK**  
TRACERS INC.

3105 North Cascade Avenue #106  
Colorado Springs, Co 80907-5165  
USA  
Phone or Fax 719.632.8894  
[www.rosebrooktracer.com](http://www.rosebrooktracer.com)